

Linii & Linii Corners- Installation Instructions

Models LIN-XX

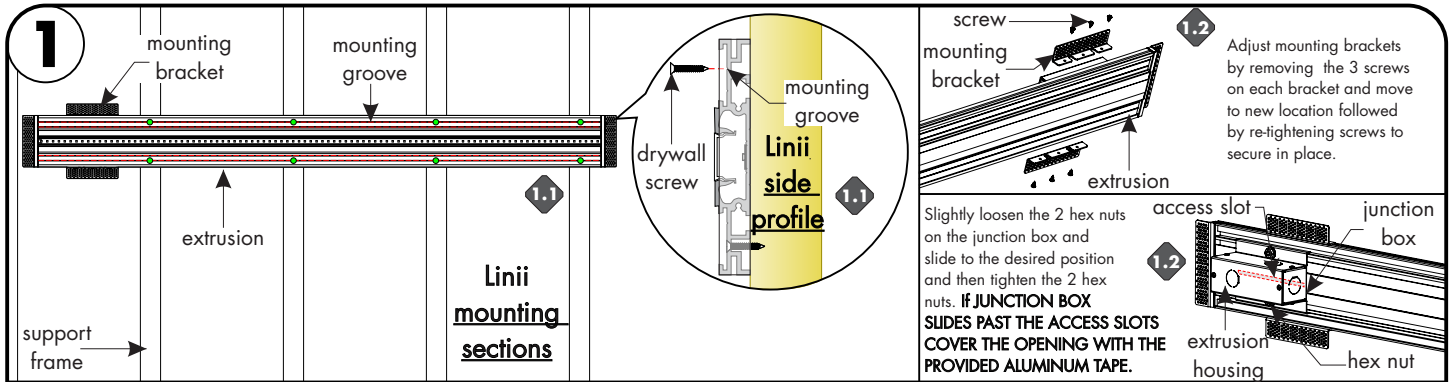


7777 Merrimac Ave
Niles, IL 60714
T 224.333.6033
F 224.757.7557
info@luminii.com
www.luminii.com



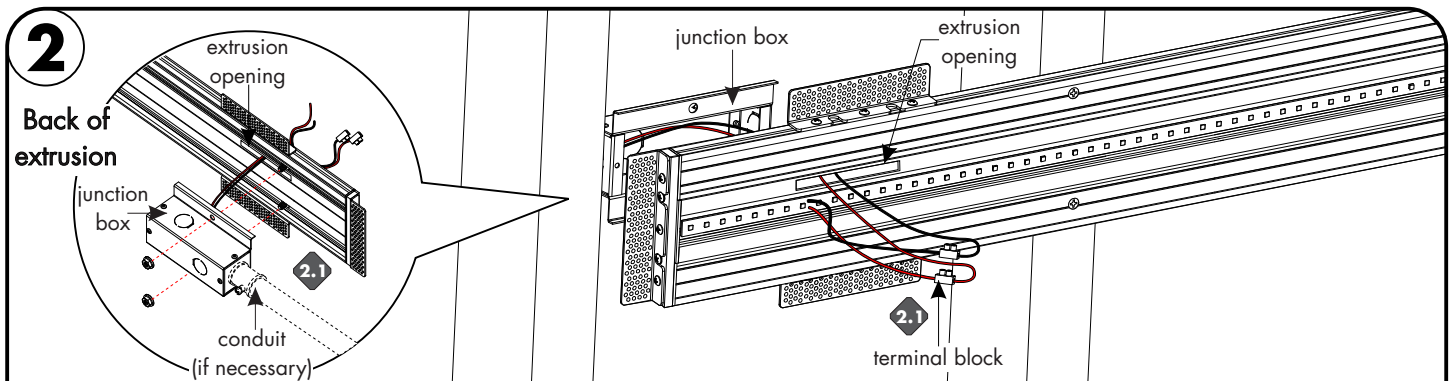
Please read all instructions prior to installation and keep for future reference!

1. PRODUCT TO BE INSTALLED BY A QUALIFIED ELECTRICIAN.
2. USE ONLY WITH CLASS 2 POWER UNIT
3. 24 VOLTS DC
4. SUITABLE FOR DAMP LOCATIONS
5. WALL/CEILING RECESSED MUD-IN
6. TYPE IC
7. INHERENTLY PROTECTED



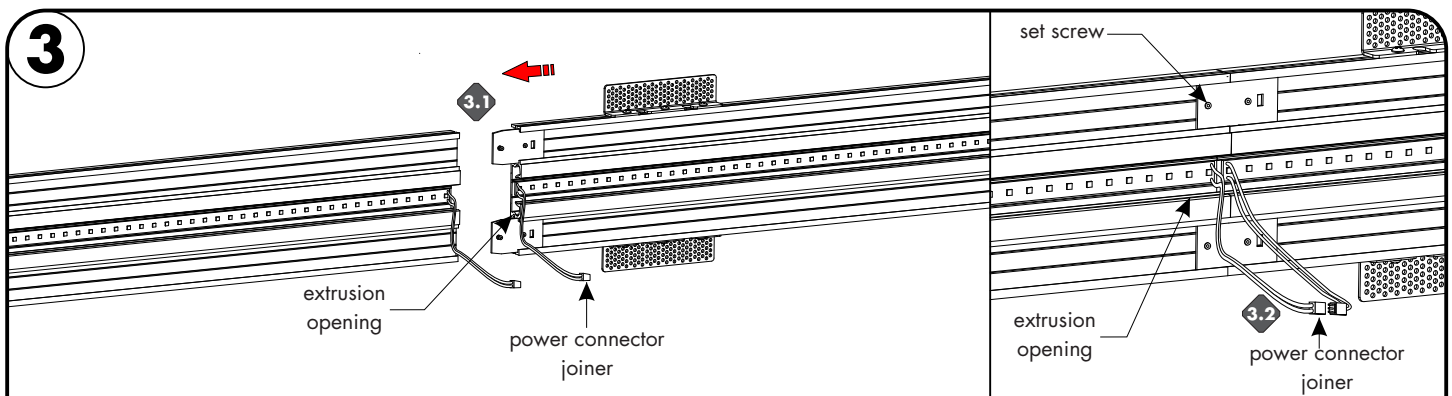
1.1 Determine the location of the installation, and then secure extrusion(s) to the support frame using drywall screws. Screws should be fastened every 16-18" depending on support frame and also at the ends of extrusion. Follow diagram above for additional information. Make sure screw is fastened through mounting grooves on the extrusion housing. Mounting brackets should be used when support frame not available. (reference step 4 for more details).

1.2 . If necessary mounting brackets & junction box are adjustable if getting in the way of the support frame reference line drawings above.



2.1 Loosen & remove the flanged nuts from the back of the junction box. Depending on national & local codes run the proper conduit from the low voltage 24VDC power supply to the junction box.

2.2 Feed the extrusion opening with the power feed wires coming from the 24VDC power supply to the Linii 24VDC extrusion wires and secure by tightening each terminal block.



3.1 If joining multiple extrusion together: Slide the extrusion with joiners into the corresponding & secure by tightening the set screw on each joiner.

3.2 Plug the connector joiners together, and then tuck the joiners into the extrusion opening. **Both connector ends include male pins, remove it from one side. Disregard male pin unless other side get bent.**

Linii & Linii Corners- Installation Instructions

Models LIN-XX

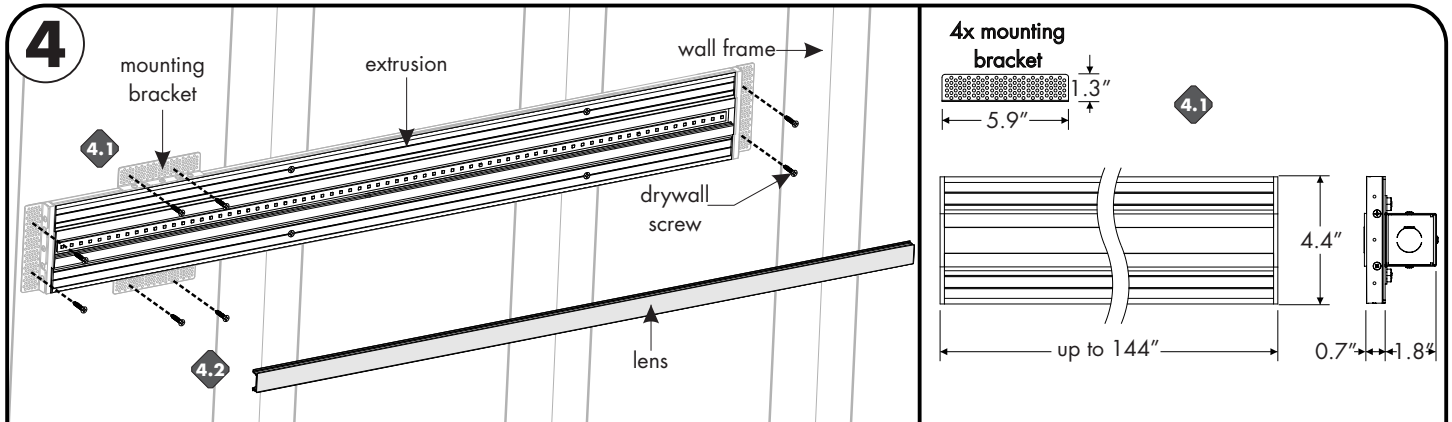


7777 Merrimac Ave
Niles, IL 60714
T 224.333.6033
F 224.757.7557
info@luminii.com
www.luminii.com

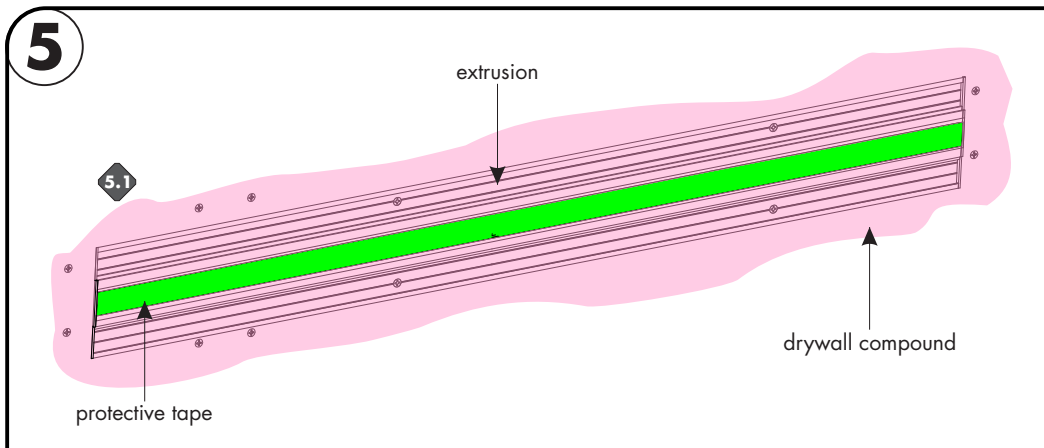


Please read all instructions prior to installation and keep for future reference!

1. PRODUCT TO BE INSTALLED BY A QUALIFIED ELECTRICIAN.
2. USE ONLY WITH CLASS 2 POWER UNIT
3. 24 VOLTS DC
4. SUITABLE FOR DAMP LOCATIONS
5. WALL/CEILING RECESSED MUD-IN
6. TYPE IC
7. INHERENTLY PROTECTED

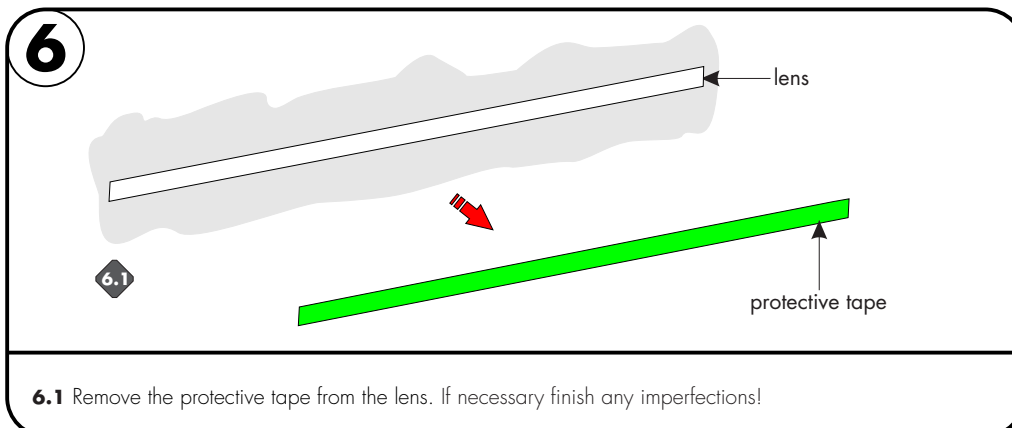
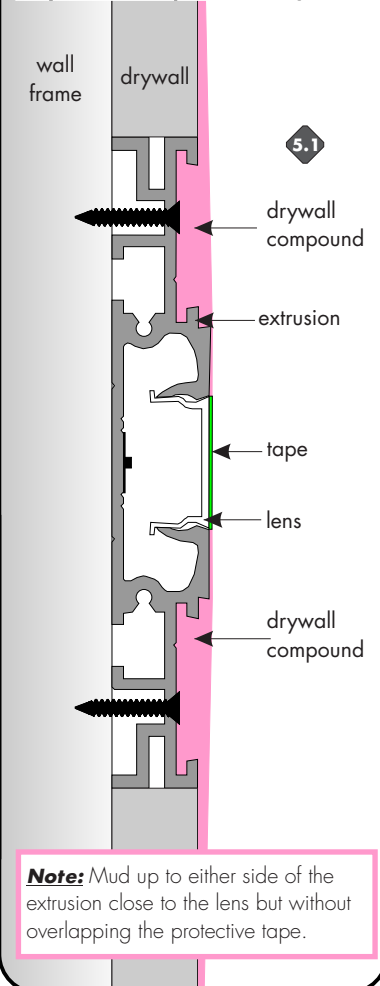


- 4.1** Prior to installing the drywall make all the necessary cutouts, use dimensions above as reference. Install the 1/2" - 5/8" drywall to the support frame. Followed by securing the mounting brackets to the drywall with drywall screws.
- 4.2** Test to see if extrusion works properly, then install the lens into the extrusion. That will protect from any excess drywall compound from entering inside.



- 5.1** Place a coat of durabond on each side of the extrusion (reference diagram to the right) for a strong bond. Followed by a light sand to blend to the drywall. If necessary finish any imperfections with a light compound. Then paint to complete installation.

Drywall/compound diagram



- 6.1** Remove the protective tape from the lens. If necessary finish any imperfections!